

TAMCOURT



Features

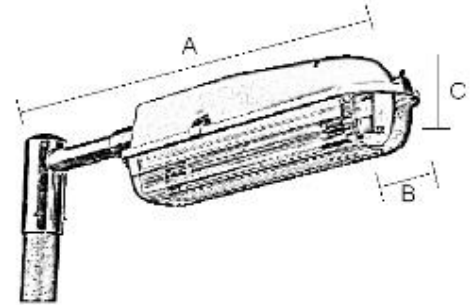
- General purpose road lantern for use with low pressure sodium lamps (SOX)
- Removable gear tray & reflector
- For mounting on 48mm dia. side entry spigot only
- Easy release clips allows quick access to lamp
- Maximum projected area = 0.13m²
- IP65

Construction

- Glass reinforced polyester body
- Clear polycarbonate diffuser with gasket
- Triple pole mains terminal block
- Supplied with lamp and gear

To specify/order

IP65 low pressure sodium street lantern as per TamLite 'TAMCOURT' range



SOX road lantern

Cat No	Lamp
TMOX55SX	1 x 55W SOX
TMOX90SX	1 x 90W SOX



Dimensions			
A	B	C	Weight (kg)
760	185	210	4.86
760	185	210	5.60

Accessories

Suffix Description

Options

Suffix Description
PC Photocell

