



LPS Sox -S Plus

Vision engineering are proud to introduce a new range of SOX/ Low Pressure Sodium tubular lamps into the market, on behalf of Snapfast Commercial Solutions.

Designed & developed to the highest specification, resulting in longer burning hours, extended guarantee, solid light output and no decline in lumen output with age. Although considered low tech, SOX LPS lamps still have the best lumens per watt ratio in the lighting industry (@ up to 200lm/w). This ratio is primarily due to the light output wavelength being near the peak of the human eye's sensitivity.

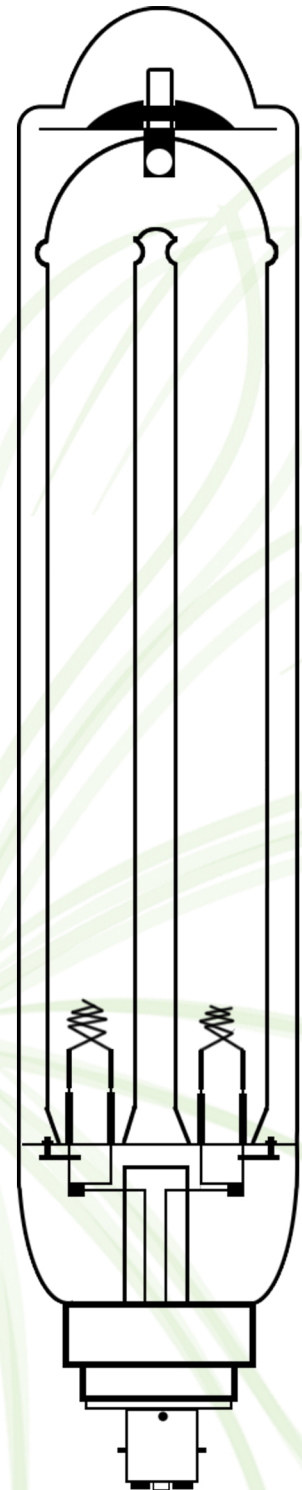
As a result LPS Lamps are widely used for outdoor lighting such as street lights and security lighting where color rendering is considered unnecessary.

Key features:

- Sodium Vapour Lamp
- No Lumen Depreciation
- High Lumen Per Watt Ratio
- High Efficiency
- Low Energy Consumption
- 1800k Colour Temperature
- Reliable Lamp Strike
- 12000 hour Guarantee
- CE & RoHS Approved
- Covered in WEEE Directive

Range & Specification:

Code Reference Bestellzeichen	Wattage Puissance absorbee Leistungsaufnahme	Current Actuel Aktuell	Voltage Tension Spannung	Luminous Flux Flux Lumineux Lichtstrom	Cap type Chapeau Schutzkappe	Colour temp. Couleur temp. Farbe temp.	Burning position Position brûlante Brennende position	Rated Life La vie évaluée Bewertete Lebensdauer
P1001P	35w	0.6a	70v	4540	BY22D	1800k	h/BU	20000hrs
P1002P	55w	0.6a	109v	7750	BY22D	1800k	h/BU	20000hrs
P1003P	90w	0.9a	112v	13600	BY22D	1800k	HOR	20000hrs
P1004P	135w	0.95a	165v	22510	BY22D	1800k	HOR	20000hrs



model:
LPS Sox -S Plus 35w

Specification:

Lamp:
 Order Code: P1001P
 Item Name: 35w LPS Sox-S Plus Lamp
 Lamp Wattage: 35w
 Circuit Wattage: 38.2w
 Lamp Current: 0.6a
 lamp Voltage: 70v
 Mercury Content: No

Lumen Flux: 4540
 Lumen Efficacy: 128 lm/w
 Colour Temperature: 1800k
 Lumen Maintenance 2000h: 95%
 Lumen Maintenance 5000h: 91%
 Failures @ 6000h: 5%
 Failures @ 12000h: 20%

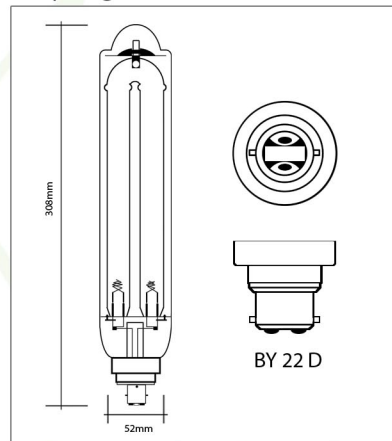
Base Type: BY22D Rd
 Tube Type: T50
 Dimensions l/w: 308mm/52mm
 Operating Temperature: 150°C

Sleeve Quantity: 1
 Sleeve Weight: 0.25kg

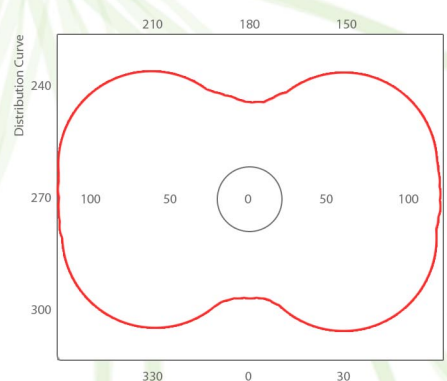
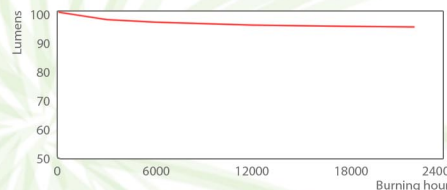
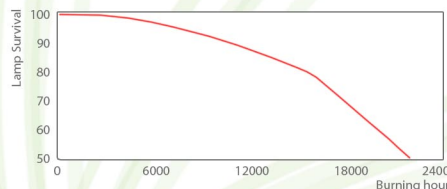
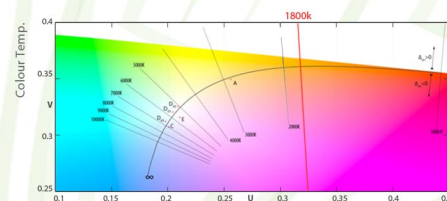
UMSUG Code: N/A
 CE Accreditation: Yes
 RoHS Approved: Yes

Carton Quantity: 12pcs
 Total Carton Dimensions(l/h/w): 250mm/390mm/180mm
 Total Carton Weight: 3.4kg

Lamp diagram:



lamp characteristics:



model:
LPS Sox -S Plus 55w

Specification:

Lamp:
 Order Code: P1002P
 Item Name: 55w LPS Sox-S Plus Lamp
 Lamp Wattage: 55w
 Circuit Wattage: 58.8w
 Lamp Current: 0.53a
 lamp Voltage: 109v
 Mercury Content: No

Lumen Flux: 7910
 Lumen Efficacy: 141 lm/w
 Colour Temperature: 1800k
 Lumen Maintenance 2000h: 98%
 Lumen Maintenance 5000h: 98%
 Failures @ 6000h: 5%
 Failures @ 12000h: 20%

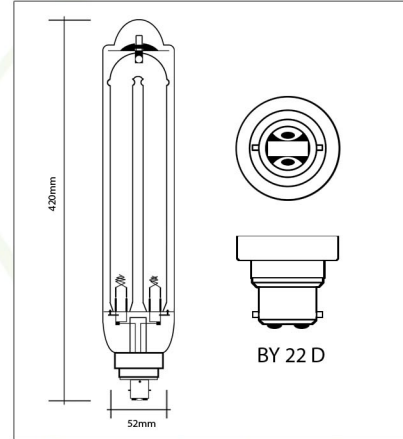
Base Type: BY22D Rd
 Tube Type: T50
 Dimensions l/w: 420mm/52mm
 Operating Temperature: 150°C

Sleeve Quantity: 1
 Sleeve Weight: 0.36kg

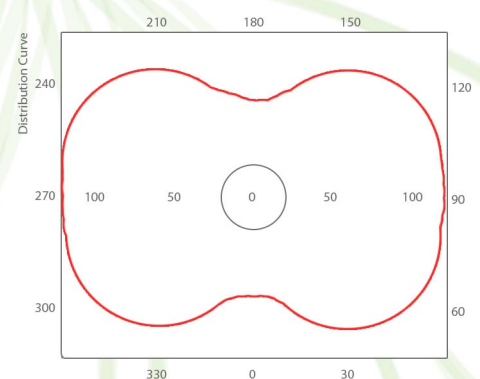
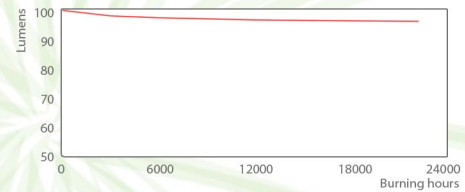
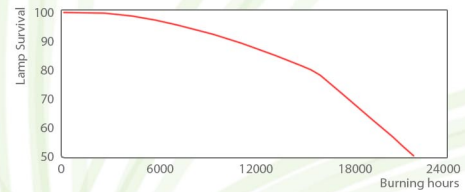
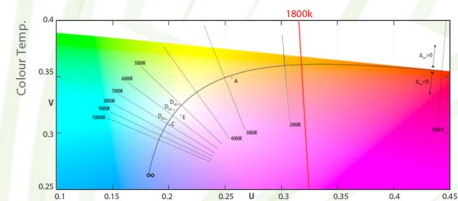
UMSUG Code: N/A
 CE Accreditation: Yes
 RoHS Approved: Yes

Carton Quantity: 12pcs
 Total Carton Dimensions(l/h/w): 250mm/510mm/190mm
 Total Carton Weight: 4.3kg

Lamp diagram:



lamp characteristics:



model:
LPS Sox -S Plus 90w

Specification:

Lamp:
 Order Code: P1003P
 Item Name: 90w LPS Sox-S Plus Lamp
 Lamp Wattage: 90w
 Circuit Wattage: 92w
 Lamp Current: 0.84a
 lamp Voltage: 112v
 Mercury Content: No

Lumen Flux: 13600
 Lumen Efficacy: 150 lm/w
 Colour Temperature: 1800k
 Lumen Maintenance 2000h: 98%
 Lumen Maintenance 5000h: 96%
 Failures @ 6000h: 5%
 Failures @ 12000h: 20%

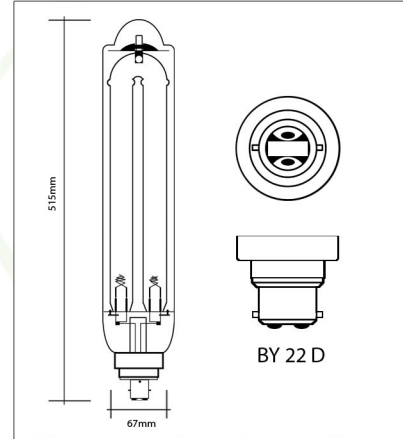
Base Type: BY22D Rd
 Tube Type: T65
 Dimensions l/w: 515mm/67mm
 Operating Temperature: 150°C

Sleeve Quantity: 1
 Sleeve Weight: 0.58kg

UMSUG Code: N/A
 CE Accreditation: Yes
 RoHS Approved: Yes

Carton Quantity: 12pcs
 Total Carton Dimensions(l/h/w): 290mm/600mm/230mm
 Total Carton Weight: 7.4kg

Lamp diagram:



lamp characteristics:

